



**NetCom Quick Setup Guide  
For models ending with:  
CAT5A or CAT5AS**



## **Box Inventory**

As you unpack the kit, ensure that you have the following items included in the box:

- 1 – LCD with integrated Keyboard
- 1 – 2m IEC Power Cable
- 2 – Outer Rails (Mounting to Rack)
- 2 – Inner Rails (Already mounted to RFT)
- 1 – Mounting Hardware
- 4 – Zip Ties for securing cables to the back of the unit

Note: CAMs (CATX-USB or CATX-PS2) are sold separately and quantity varies based on the number of servers required to connect to.

The NetCom has been updated with the latest firmware for both the internal KVM and CAMs (Computer Access Module).

If any of these parts are missing, please call NLS at +1 805.389.5435 or email [support@nlsdisplays.com](mailto:support@nlsdisplays.com) to receive the missing parts.

## **Introduction**

Access and control multiple multi-platform computers from one Keyboard Video Mouse (KVM) console with the NetCom system. NLS has chosen to include an *AdderView CATx 1000* switch inside the NetCom. Adder is a leader in CAT5 KVM technology and seamlessly integrates into the NLS RFT structure to provide you with a high quality and very durable product.

## **Features**

- Hot-Swap - disconnect and reconnect computers without rebooting
- Scan-mode operation with variable time interval
- Operate the system using an On Screen Display (OSD) keyboard hotkeys
- Create multi-level cascade arrangements. For example by cascading the NetCom with Adder's CATx 1000 KVM 16-Port model, connect up to up to 256 computers in the system
- The computers can be placed up to 10m/33ft from the NetCom
- Multi-platform — supports PS/2, SUN, and USB computers/servers

## **System components**

The NetCom system consists of:

- NetCom LCD/Keyboard and a digital 16-port KVM
- Computer Access Module (CAMs) – PS/2, SUN, USB
- Shielded CAT5 cables (1.5m provided)

## **Compatibility**

The NetCom is compatible with:

- PS/2, SUN and USB computers/servers
- VGA, SVGA, or XGA monitors
- DOS, Windows (3X, 9X, 2000, NT4, ME, XP, 2003 Server) LINUX, UNIX, QNX, SGI, FreeBSD, BeOS, Open VMS, Novell 3.12-6, Alpha UNIX, HP UX, SUN

## **Pre-installation guidelines**

- Switch off all computers
- Place cables away from fluorescent lights, air conditioners, and machines that are likely to generate electrical noise
- Ensure that the maximum distance between each computer and the NetCom, does not exceed 10m/33ft

## **Connecting the NetCom system**

Connect each computer to the NetCom system using the appropriate CAM and CAT5 cables.

## **Installation Procedures Overview:**

1. Turn off NetCom (NetCom power switch is located on the very back of the unit) and servers
2. Connect CAMs to servers
3. Connect CAT5 cables from the NetCom ports to the CAMs
4. Turn on NetCom. Allow 15 seconds for all CAMs to be registered
5. Press the **Ctrl+Alt+M** and you will see the OSD.
6. Turn on servers

**More information on installation procedures is on the following pages. It is advised to read them prior to powering up equipment.**

## The CAMs

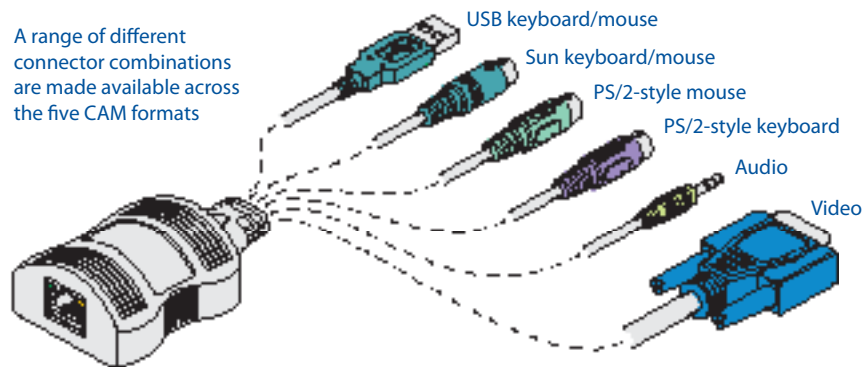
The CAMs draw their power from the computer's keyboard port (CAM PS/2, SUN) or from the USB port (CAM USB).

### Connecting a PS/2 CAM

**Figure 1** illustrates the CAM.

To connect the PS/2 CAM:

1. Connect the Screen connector to the computer's Video card.
2. Connect the Keyboard connector to the computer's Keyboard port.
3. Connect the Mouse connector to the computer's Mouse port.



**Figure 1 PS/2 CAM**

### Connecting a USB CAM

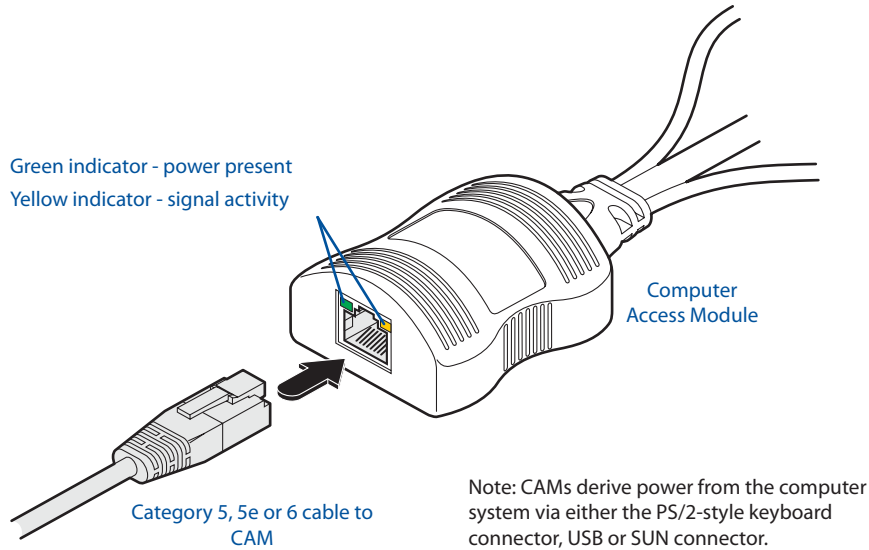
The CAM USB supports Windows 98 SE and later, MAC and SUN illustrates the USB CAM and its connections.

To connect the USB CAM:

1. Connect the HD-15 connector to the computer's Video card.
2. Connect the USB connector to the computer's USB port.

## Connecting the CAT5 cables

1. Connect one connector to the CAMs RJ45 port.
2. Connect the other connector to one of the NetCom's RJ-45 ports.
3. Follow the above 2 steps for each computer.



## Connecting the power supply

1. Connect the NetCom to the power supply using the Power cable provided. Use only power cord supplied with the unit.
2. Switch on the computers.

## Operating the NetCom system

Switch between the connected computers by either:

1. Keyboard hotkeys: Ctrl+Alt+# (# is the number of the port you want to access)
2. The OSD (On Screen Display) Ctrl+Alt+M
3. Moving to the next used port: Ctrl+Alt+Tab

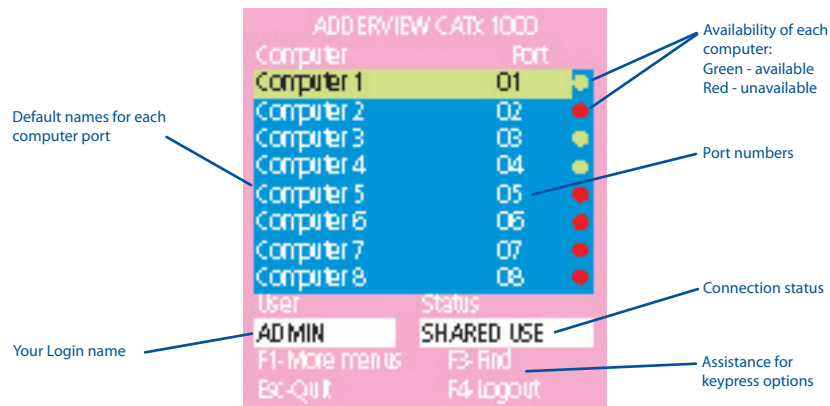
The OSD is also the place to adjust various settings as explained below.

## Displaying the OSD

To display the OSD:

Press **Ctrl+Alt+M** and the OSD Main window appears. See **Figure 2**. Lines with blue text show active computers. Lines with grey text show inactive computers.

The Type column indicates whether a computer "C" or another switch "S" is connected to the port.



**Figure 2 The OSD Main window**

## Navigating the OSD

To navigate up and down use the Up and Down arrow keys.

To jump from one column to the next (when relevant) use the Tab key.

To exit the OSD or return to a previous window within the OSD press **Esc**.

## Selecting a computer

To select a computer:

1. Navigate to the desired computer line.
2. Press **Enter**. The selected computer is accessed. A confirmation label appears showing which computer is accessed.

Note! When the OSD is displayed you cannot select computers using the front panel Select buttons or the keyboard hotkeys.

## The OSD settings (F2)

Once the OSD is active, press **F1**. The OSD Settings window appears see **Figure 3**.



**Figure 3 The Settings window**

Note! When the OSD is password protected (explained below) only the Administrator has access to the **F1** settings window. This window offers setup feature of the AdderView unit.

To obtain a Full User Guide covering all aspects of the NetCom and it's capabilities, please go to **[www.NLSdisplays.com/support/NetCom](http://www.NLSdisplays.com/support/NetCom)**.



## **Avoiding general rack mounting problems**

### **Elevated operating ambient temperature**

The operating ambient temperature of the rack environment may be greater than the room ambient when installing into a closed or multi-unit rack assembly. So install the equipment in an environment compatible with the maximum rated ambient temperature.

### **Reduced airflow**

Install the equipment in a rack in such a way that the amount of airflow required for safe operation is not compromised.

### **Mechanical loading**

Mount the equipment in the rack in such a way that a hazardous condition is not achieved due to uneven mechanical loading.

### **Circuit overloading**

When connecting the equipment to the supply circuit, consider the effect that overloading of circuits might have on over-current protection and supply wiring.

Reliable earthing of rack-mounted equipment should be maintained. Give attention to supply connections other than direct connections to the branch circuit (e.g. use of power strips).