

8

7

6

5

4

3

2

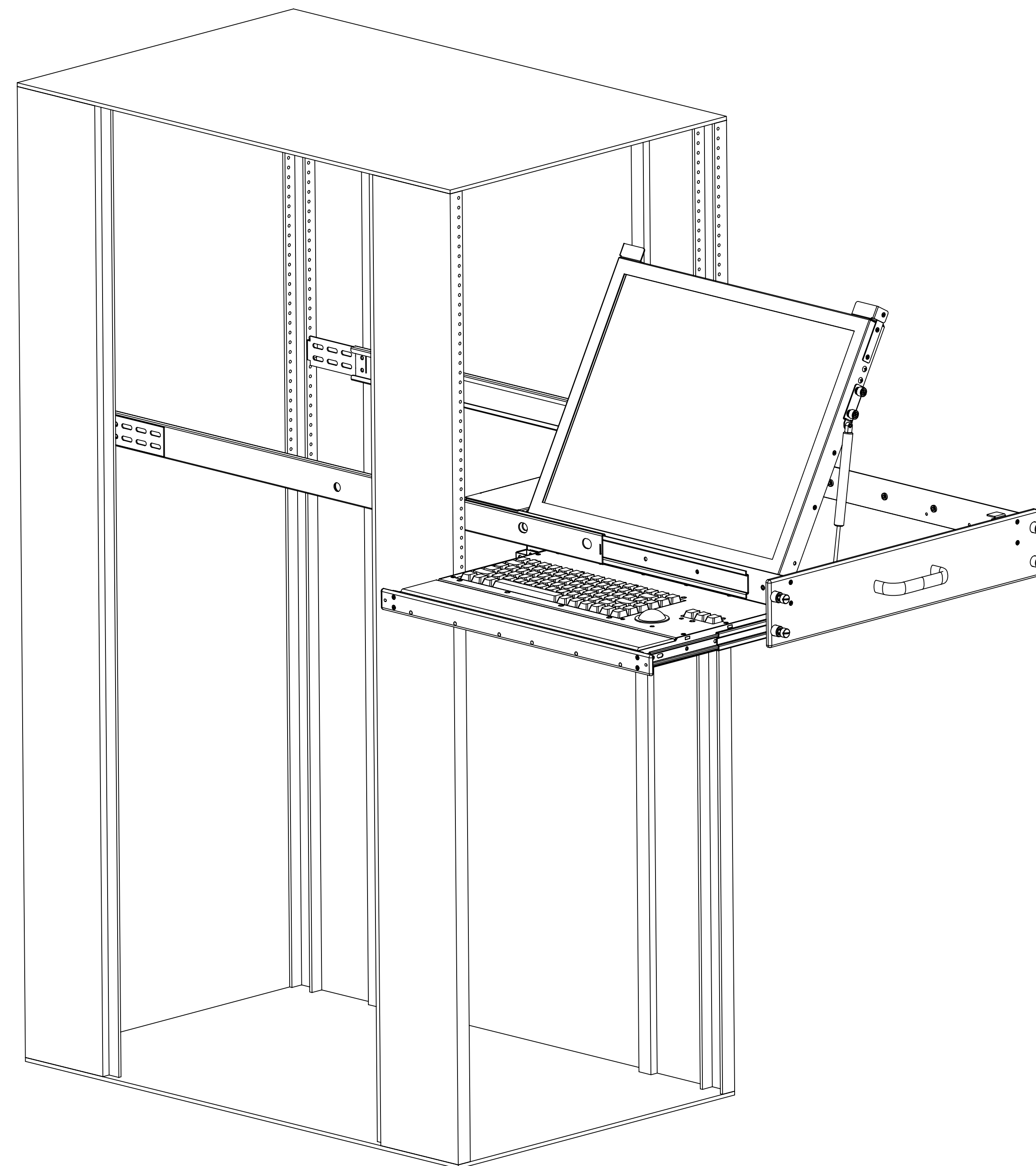
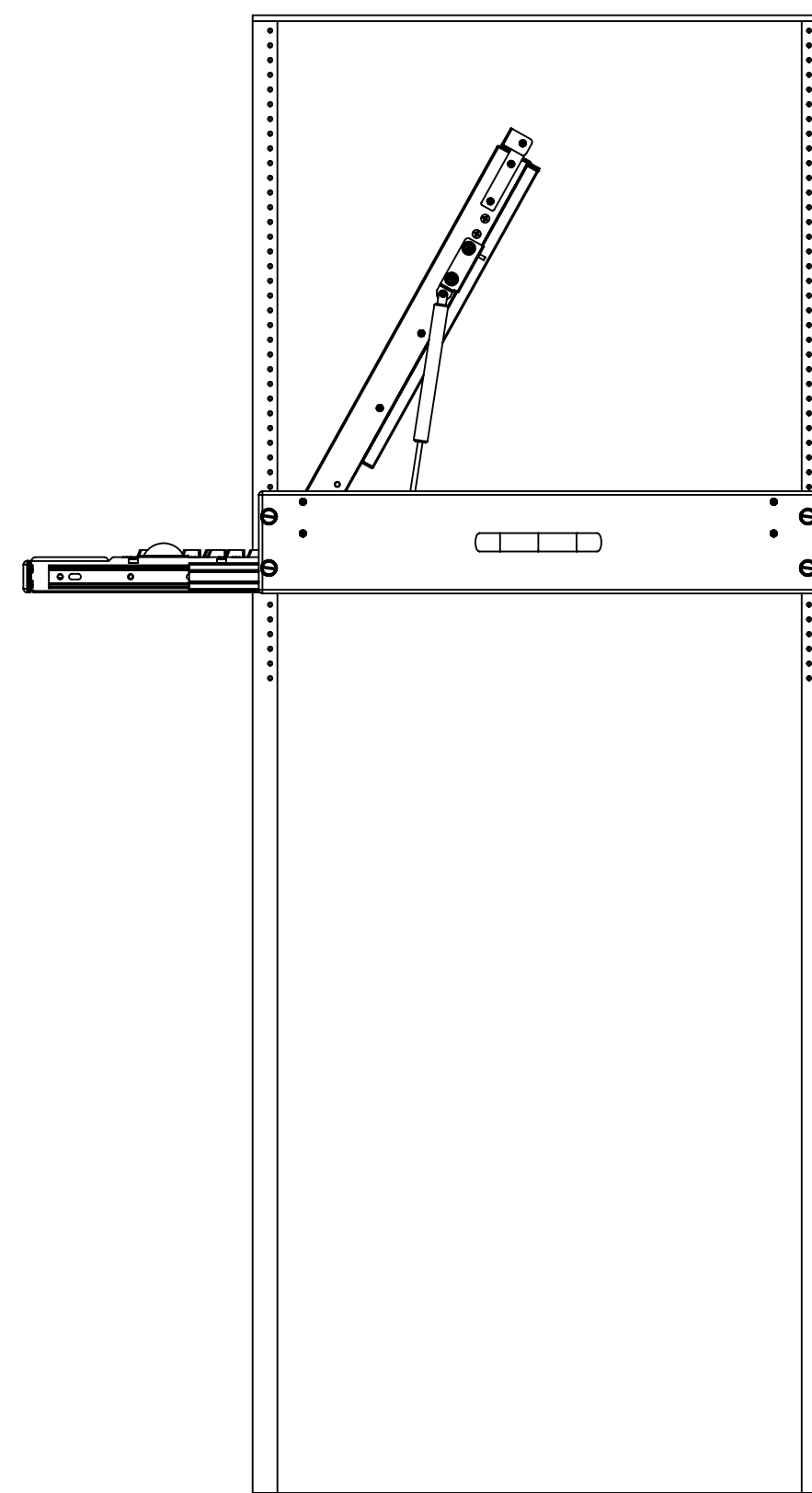
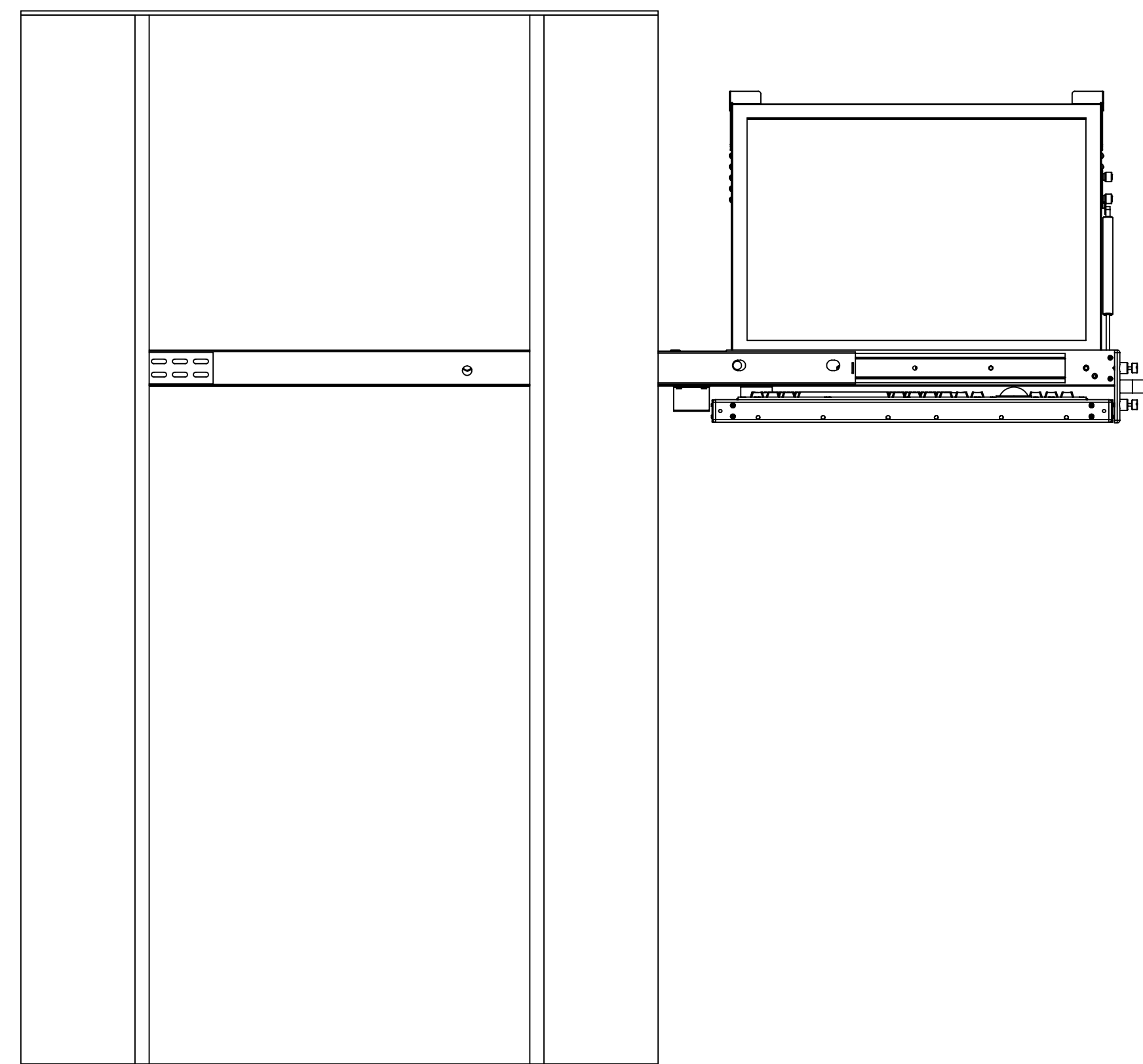
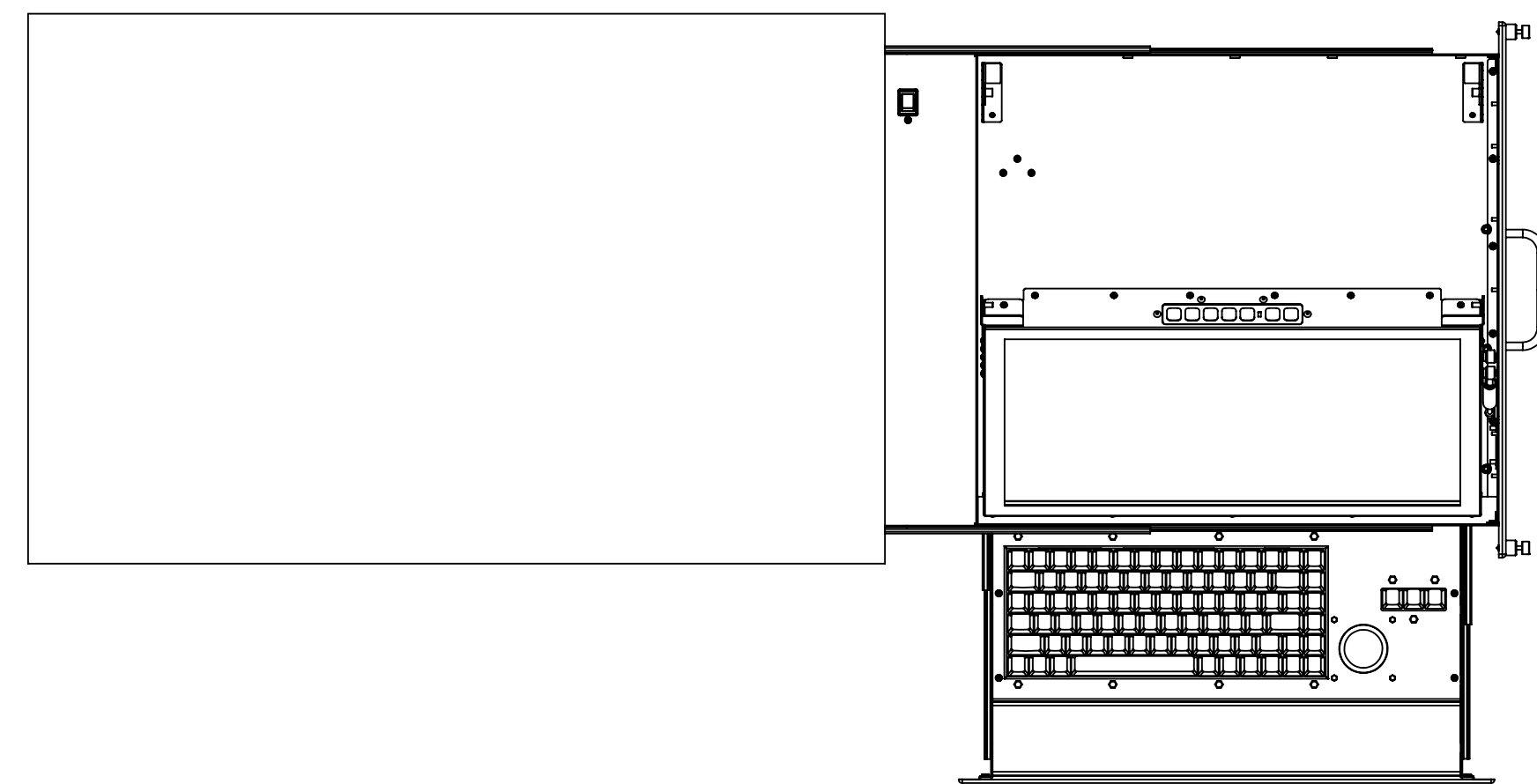
1

PROPRIETARY AND CONFIDENTIAL

THE INFORMATION CONTAINED IN THIS DRAWING IS THE SOLE PROPERTY OF NEURO LOGIC SYSTEMS INC. ANY REPRODUCTION IN PART OR AS A WHOLE WITHOUT WRITTEN PERMISSION OF NEURO LOGIC SYSTEMS INC. IS PROHIBITED.

REVISION RECORD

REV	DESCRIPTION	BY	DATE



NAME	DATE
DESIGNED: Steve Sitko	
DRAWN: J. Villegas	10/8/2008
ENG APPR.: Steve Sitko	
MFG APPR.	

MATERIAL:	DO NOT SCALE DRAWING
FINISH:	COMMENTS:

NLS
NEURO LOGIC SYSTEMS, INC.

451-C Constitution Ave.
Camarillo, CA 93012
805-389-5435, 5436 FAX

TITLE:
RAL on Rack Setup

FILE:
RFT20-2U-RAL_Setup

SIZE: **B** DWG. NO. **C0-00-0000-A** REV

SCALE SHEET 1 OF 1

DIMENSIONS ARE IN INCHES UNLESS OTHERWISE SPECIFIED.

TOLERANCES

DECIMALS .XX = ±0.010 ANGLES ±2°
.XXX = ±0.005