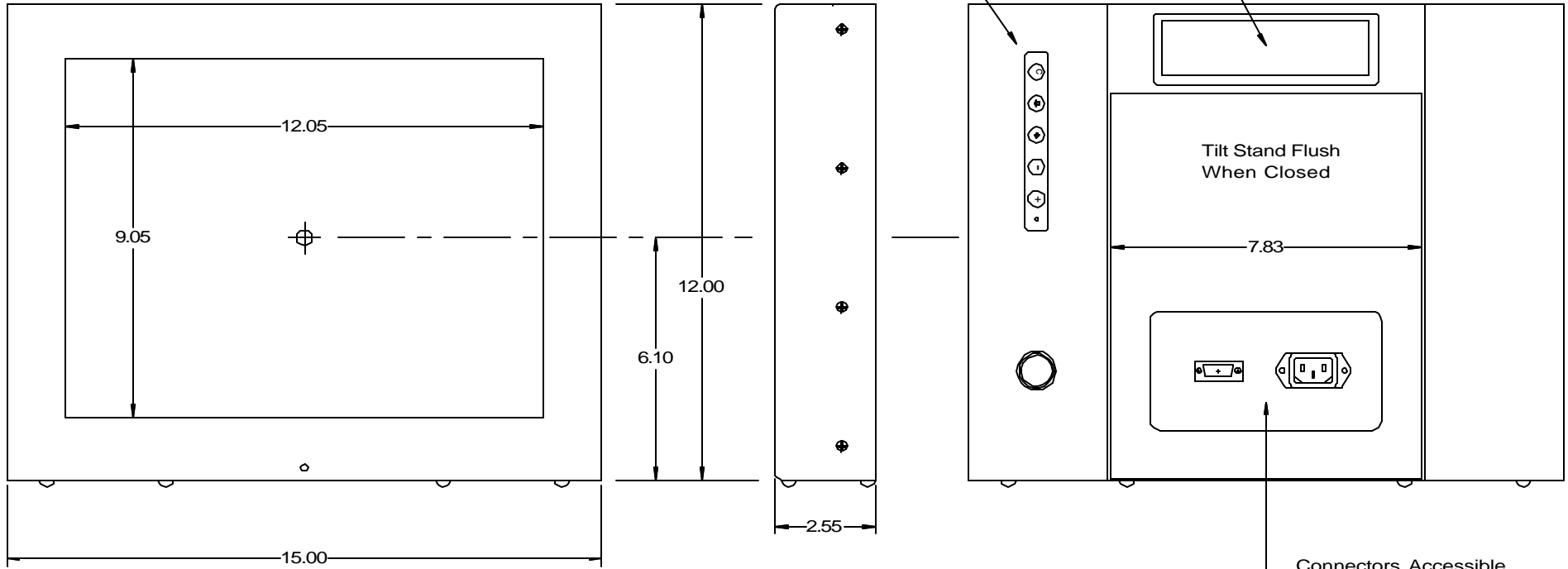
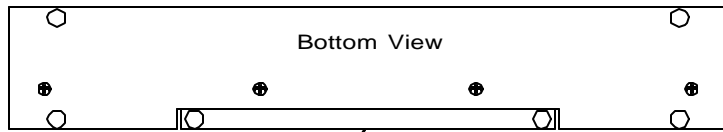


OSD Controls

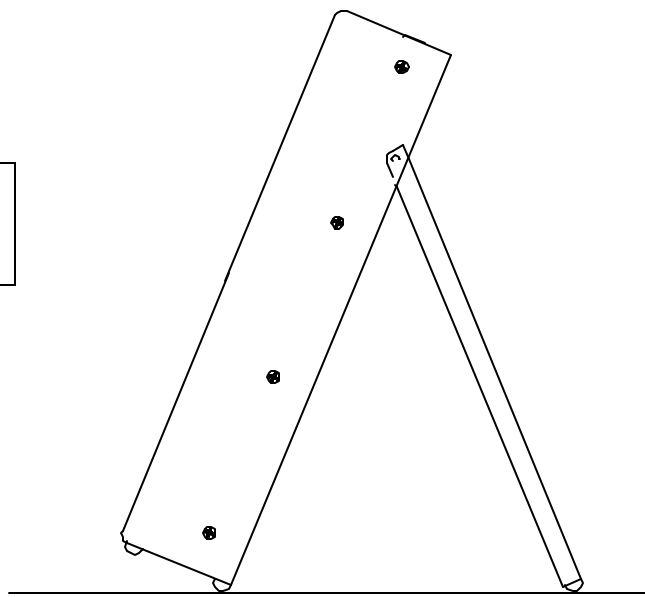
Recessed Handle



Connectors Accessible When Tilt Stand Closed



Tilt Stand Flush When Closed



NEUROLOGIC		451-C Constitution Ave CAMARILLO, CA 93012 805-389-5435, 5436 fax	
TITLE 15" LCD Touchmonitor, USN			
SIZE A	DOC FILE CF15USN_OTL	REV	
22-APR-2000	SCALE: 1:4		