



## RFT2-19-L2 2U Dual 19" LCD Server Console



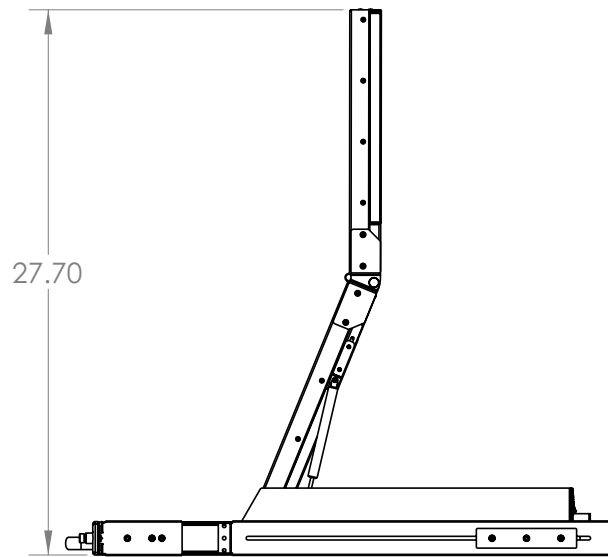
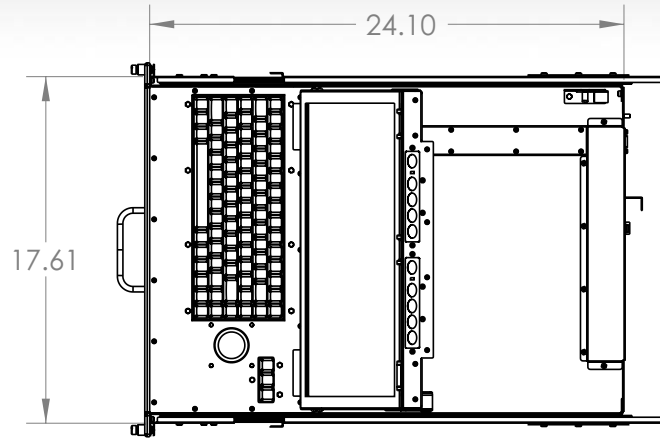
THE RFT-2L19 IS THE WORLD'S FIRST DUAL 19-INCH FLAT PANEL THAT FITS INTO 2U OF RACKSPACE IN A RETMA RACK OR TRANSPORT CASE. WHEN PULLED OUT FOR USE, THE 2 LCDS OPEN IN A VERTICAL FORMAT REDUCING THE AMOUNT OF SPACE TRADITIONAL SIDE-BY-SIDE UNITS REQUIRE. THE PITCH OF THE DISPLAYS TAKE INTO ACCOUNT THE OPTIMUM VIEWING ANGLES FOR THE OPERATOR AND REDUCES THE AMOUNT OF "UP-TIME" INVOLVED IN USING TWO SEPERATE MONITORS.



### KEY FEATURES

- 2U High and 24 inches deep
- 2 19-inch wide-viewing flat panel LCDs
- Sealed backlit full-travel keyboard
- 1.5 inch trackball and 3 mouse buttons
- 2 gas struts for ultimate LCD support when open
- Sun-compatible USB keyboard option
- Lock-down mechanism for LCD when not in use
- Smart-Rail System & Cable Mgt
- PFC power supply
- NEMA sealed front 2mm protective AR glass filter for LCD
- 15-pin VGA connections
- 2-Year Parts and Labor Warranty
- Fits 22" to 36" rack depths via adjustable mounting brackets
- 28 and 48-volt DC and 400Hz power supply options

## RFT2-19-L2: 2U Dual 19" LCD Server Console



### LCD TECHNOLOGY

#### LCD Technology:

- Active matrix TFT color LCD
- 19.1" diagonal screen size
- 1280 x 1024 maximum resolution
- 0.294mm x 0.294mm pixel pitch
- 250cd/m<sup>2</sup> (typ.) brightness
- 700:1 (typ.) contrast ratio
- Tr: 12.8ms / Tf: 5.2ms; 12ms (typ.)
- L/R=80° / 80°, U/D=70° / 70° viewing angle
- 4 CCFLs backlights lamp with 30,000 hours life

#### Display Resolution:

- 1280 pixels(H) x 1024 lines(V)

#### Active Display Area: 376.1mm(H) x 301.1mm(V)

#### Displayable Color: 16.7M colors

#### Compatibility:

- IBM & VESA
- VESA SXGA 1280 x 1024 60 / 75Hz

- Apple Macintosh 1024 x 768 75Hz
- SunMicro 1152 x 900, 66 / 76Hz

#### Input Signal:

- Video: analog RGB 0.7 Vp-p
- Sync: separate sync, composite sync, sync. on green

#### Auto-adjustment: Yes

#### I/O Connectors:

- VGA in D-sub 15 pin

#### Power Consumption (per LCD):

- 35 watt (max.), 28W Typ, < 5 watt (off mode)

#### 90-260VAC @ 50/60Hz

#### Operating Temp.:

- 0°~50°C / 32°~122°F . Humidity: 95% maximum-

#### Vibration & Shock: (non-mil test)

- Freq: 10-200Hz
- Sweep: 30 min (X,Y,Z)

- Accel: 1.5G (10~200Hz P-P)

#### Shock Test Spec: (non-mil test)

- Accel: 50G Active Time: 20
- Wave Form: half-sin Times: 1

#### Pressure: Max: 1040hPa; 0m=sea level

- Min: 674hPa; 3048m=10,000ft

#### Non-operation Alt: 30k ft, 9145m

#### MTBF: 30,000 hours

#### Power Supply Options:

- DC 12/24/48 Volt & 400Hz

#### Mil Specs: Optional: 461E - 901D - 810

#### LCD Agency approval: FCC-B, CE-B, VCCI-II,

#### BSMI, CCIB, UL, CUL, TUV, CB, TCO' 99

#### Unit Certs: CE, CSA, CB, Solaris Ready Approved

#### Weight: 38lbs.