



## RF-23 LCD Rackmount 23-inch LCD: Fujitsu

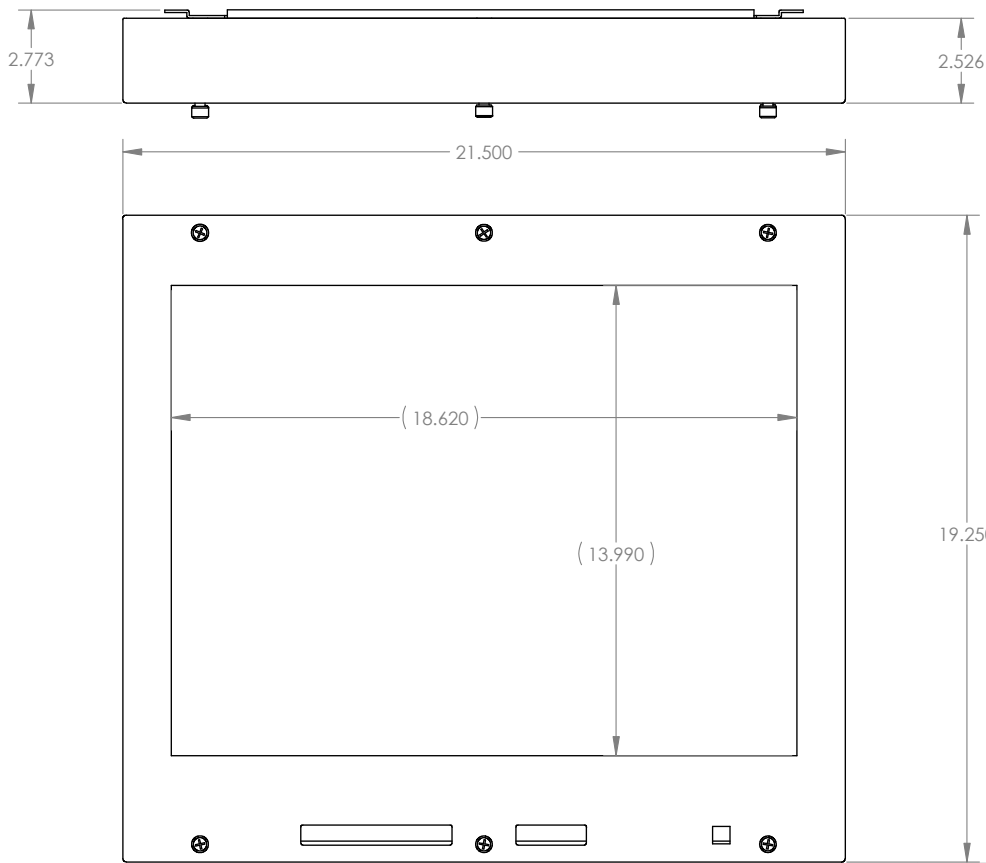


THE RF PRODUCT LINE CONSISTS OF FLATPANEL DISPLAYS ENGINEERED FOR USE IN HARSH, DEMANDING ENVIRONMENTS, INCLUDING SHIPBOARD AND MILITARY. NEURO LOGIC ONLY USES THE HIGHEST QUALITY LCDs AVAILABLE AND BUILDS CUSTOMER CONTROLLERS THAT ENABLE OUR DISPLAYS TO BE USED ANYWHERE FOR ANY REASON. THIS DOES NOT MEAN THEY ARE THE MOST EXPENSIVE EITHER!



### KEY FEATURES

- Resistive or Acoustic Wave (SAW) Touchscreen (optional)
- 3mm heat-treated glass (on most models)
- 80-degree (up/down/left/right) viewing on all panels
- Front OSD controls
- Backlight/Inverter Controls
- Fan-cooled electronics (certain models)
- HD-15-DVI - BNC or NTSC
- RGB Green Sync, RS-170, Y and C (S-video) thru BNC, NTSC, VGA
- NEMA 4 front option
- DVI/Digital Video Interface (optional)
- Black powdercoat aluminum enclosure w/ handles
- Based on proven COTS LCD technology for low risk and high quality at an affordable cost
- Superior reliability and maintainability over CRTs means a lower life cycle cost
- Mil-Spec 461E available on RF-18 and RF-20. Email for certs
- 24 and 48 volt and 400Hz power supply options
- Custom modifications available on all models



## LCD TECHNOLOGY

### LCD Technology:

- Active matrix TFT color LCD
- 23.1" diagonal screen size
- 1600 x 1200 addressable pixels
- 0.294mm pixel pitch
- 250cd/m<sup>2</sup> (typ.) brightness
- 500:1 (typ.) contrast ratio
- Tr: 30ms / Tf: 25ms (typ.)
- L/R=80° / 80°, U/D=80° / 80° viewing angle
- 50,000 hours life (min.)

### Display Resolution:

1600 pixels(H) x 1200 lines(V)

### Active Display Area:

470.4mm(H) x 352.8mm(V)

**Displayable Color:** 16.7M colors

### Compatibility:

• *PC - IBM - Linux:* Up to 1600 x 1200 non-interlaced

• *Apple Macintosh:* Up to 1600 x 1200

• *Sun Microsystems/Unix:*

1600 x 1200 including 1152 x 900, 66 / 76Hz

### Input Signal:

- Video: analog RGB 0.7 Vp-p
- Sync: separate sync, composite sync, sync. on green

**Auto-adjustment:** Yes

**VESA Mounting Interface:** VESA Standard

100mm x 100mm

### I/O Connectors:

- DC power in
- VGA in D-sub 15 pin and/or 5X BNC

### Power Saving:

• VESA DPMS standard (4 mode)

### Power:

AC 90-264 VAC, 47/63Hz (auto switch), 80W (typ). Optional 48V DC and 400hz

### Power Consumption:

80 watt (max.), < 5 watt (off mode)

### LCD Agency approval:

FCC-B, CE-B, VCCI-II, BSMI, CCIB, UL, CUL, TUV, CB, TCO' 99

### Operating Temperature:

- 0°~40°C / 32°~104°F
- Humidity: 80% maximum

### Storage Temperature:

- -20°~60°C / -4°~140°F
- Humidity: 95% maximum