



## RFT2-15-232 1U Terminal Console



THE INDUSTRY'S ONLY 1U RACKMOUNT VTXX/ANSI TERMINAL. THE RFT-15-232 IS A 15" LCD/KEYBOARD COMBINATION THAT FITS INTO A 1U RACKMOUNTABLE TRAY AND CONNECTS TO SERVERS VIA SERIAL (DB-25) CONNECTIONS. THIS UNIT IS PERFECT FOR 1U SERVERS SUCH AS WEB SERVERS, DNS SERVERS, MAIL SERVERS AND OTHER EQUIPMENT THAT LACK VIDEO CARD CAPABILITY SUCH AS THE SUN NETRA SYSTEMS AND THE HP SERVERS. THE ITERM OFFERS FULL TRANSACTION CAPABILITIES! SIMPLE AND EFFECTIVE!



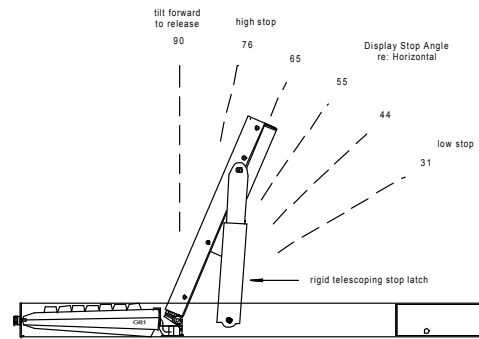
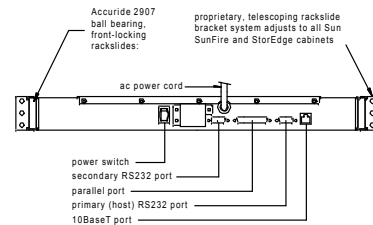
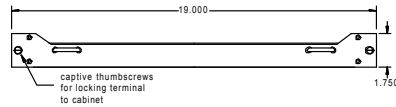
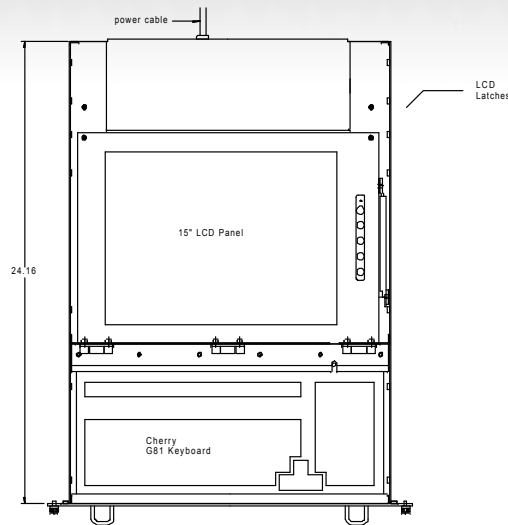
### KEY FEATURES

- XPC. Hardware handshake DTR pin
- Built in conjunction with Sun
- Microsystems for Unix systems!
- Supports up to 16 sessions to multiple servers via Ethernet connection
- 16 background colors
- Supports RSC capabilities
- 28 & 48-volt and 400Hz power options
- Built-in 8-port switch optional
- Perfect for secure environments due to the lack of a hard drive or memory!

- PROTOCOL: Software handshake XON/XOFF
- 15" LCD with 800 x 600 resolution Keyboard
- One Ethernet Port
- One Parallel port
- One DB-9 serial RS-232 port
- Multiple RS-232 Emulations
- Baud rates from 50 to 115,200 bps
- MODE: Full duplex, Half Duplex, Half Block and Block
- FORMAT: 7 or 8 data bits with or without parity, 1 or 2 stop bits
- Console ANSI

- WY-60
- WY-120
- WY-50+
- WY-325
- ADDS A2
- PCG Alpha
- TVI910+
- TVI925
- PC TERM
- VT52
- VT100
- VT220

# RFT2-15-232 1U Terminal Console



## LCD TECHNOLOGY

### Active matrix TFT color LCD

- 15.1" diagonal screen size
- 1280 x 1024 maximum resolution
- 0.264mm x 0.26mm pixel pitch
- 250cd/m<sup>2</sup> (typ.) brightness
- 300:1 (typ.) contrast ratio
- Tr: 25ms / Tf: 15ms (typ.)
- L/R=75° / 75°, U/D=55° / 65° viewing angle
- 4 CCFLs backlights lamp w/30,000 hrs life (min.)

**Display Resolution:**  
1024 pixels(H)x 768 lines(V)

**Active Display Area:**  
304.1mm(H) x 228.1mm(V)

- Operating Temperature: 0°~40°C / 32°~104°F . Humidity: 80% max.
- Displayable Color: 16.7M colors
- **Compatibility:** Compatible w/terminal emulation.
- **Auto-adjustment:** Yes
- **Power Saving:** VESA DPMS standard (4 mode)
- **Power Consumption:** 35 watt (max.), < 5 watt (off mode)
- **User Controls:**
  - Multilingual on screen menu adjustments
  - External adjustment button
- External brightness adjustment
- **Screen image control items:** Auto-Adjustment, Contrast, Horizontal Position, Vertical Position, Frequency, Tracking, Display Mode, OSD Off
- Time, Language, Text-Graphic, Reset, Volume, Mute, Color setting, Color adjustment (R.G.B)
- LCD Agency approval:FCC-B, CE-B, VCCI-II, BSMI, CCIB, UL, CUL, TUV, CB, TCO' 99
- **Storage Temperature:** . -20°~60°C / -4°~140°F
- **Humidity:** 95% maximum
- **Model Number:** RFT2-15-232: Including everything except locks for LCD